



# K-185/K-186 GOOSENECK DECK MOUNT ELECTRONIC FAUCET AND HANDLES

Conforms To NSF 61/9 Lead Free Requirements



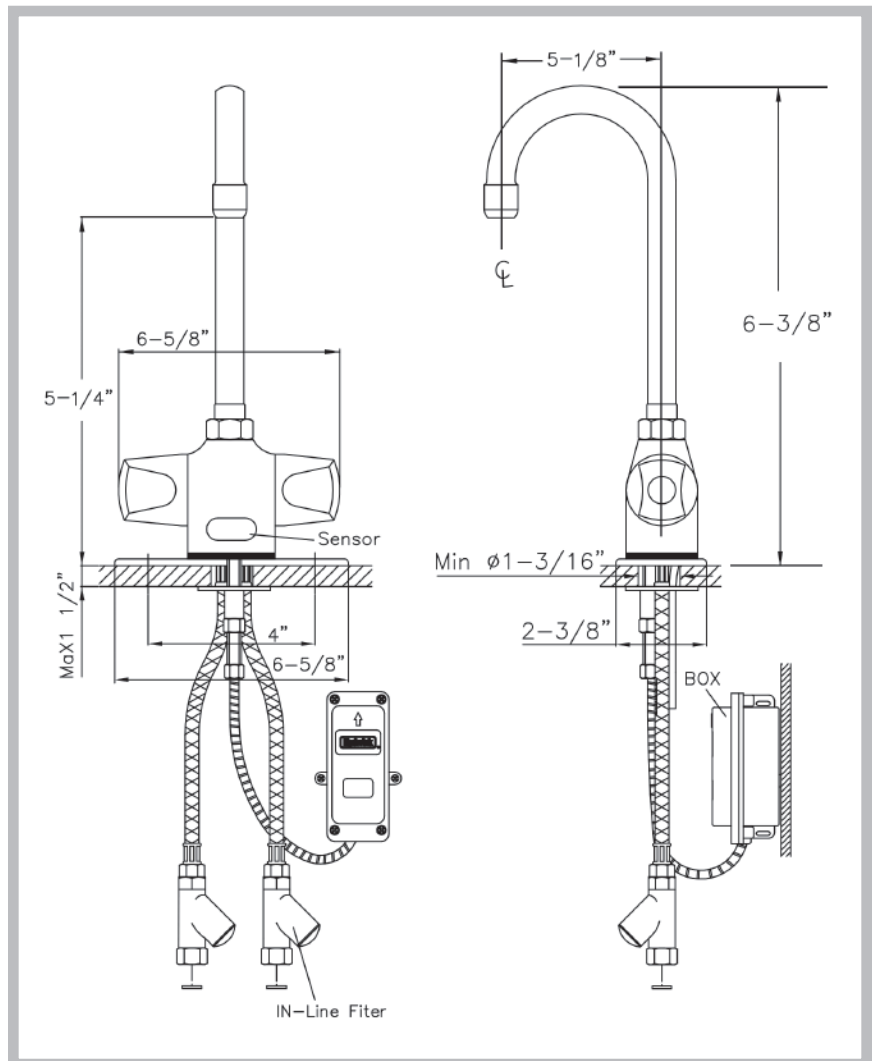
Item #:	_____	Qty #:	_____
Model #:	_____		
Project #:	_____		

**FAUCET AERATOR CONFORM TO  
STANDARD 2.0 GPM LAMINAR  
FLOW CONTROL.**

**⚠ WARNING:**

Faucet(s) on this page may expose you to chemicals, including lead, that are known to the State of California to cause cancer or birth defects or other reproductive harm. For more Info., visit [www.p65warnings.ca.gov](http://www.p65warnings.ca.gov).

## DIMENSIONS and SPECIFICATIONS



### FEATURES:

- ACCU-SENSE adjustable sensor eyes.
- Wall mountable, waterproof control box with armored, vandal resistant control and power cables.
- Preset/adjustable sensor range of 6" - 30" for various installation requirements.
- Standard automatic time-out feature. Preset at 30 seconds, but adjustable to 10, 30, or 60 seconds. Prevents accidental sink overflow.
- Shut-off delay is adjustable from 1 (preset) to 8 seconds.
- Optional 4" or 8" cover plate for 3 point anchoring.
- Includes in-line filter with clean-out trap to reduce maintenance costs.
- K-185:** AC Powered. 120V 60 Hz or 220V. Output DC 12V, 0.8A/Class 2
- K-186:** battery Powered. (4) AA Alkaline Batteries.
- Manual override provides continuous water flow for special applications or in case of failure.
- Manual controlled temperature adjustment.
- Slow closing, piston-operated solenoid valve provides reliable and smooth operation without water hammer.
- Standard 2.0 GPM Laminar flow control.
- Control module allows a unique self-check of all electrical components.

### MATERIAL:

Chrome plated, solid brass construction.



**Customer Service Available To Assist You 1-800-645-3166 8:30 am - 7:00 pm E.S.T.**

**For Orders & Customer Service:**

**Email:** [customer@advancetabco.com](mailto:customer@advancetabco.com) or **Fax:** 631-242-6900

**For Smart Fabrication™ Quotes:**

**Email:** [smartfab@advancetabco.com](mailto:smartfab@advancetabco.com) or **Fax:** 631-586-2933